



LEFROY BROOKS

1 8 2 8 T R O U T M A N S T R E E T
R I D G E W O O D N E W Y O R K N Y 1 1 3 8 5 U S A
T: +1(718) 302 5292 F: +1(718) 302 4177

M1-5462

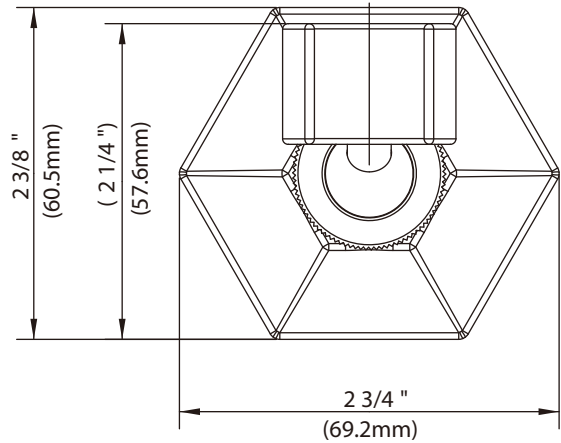
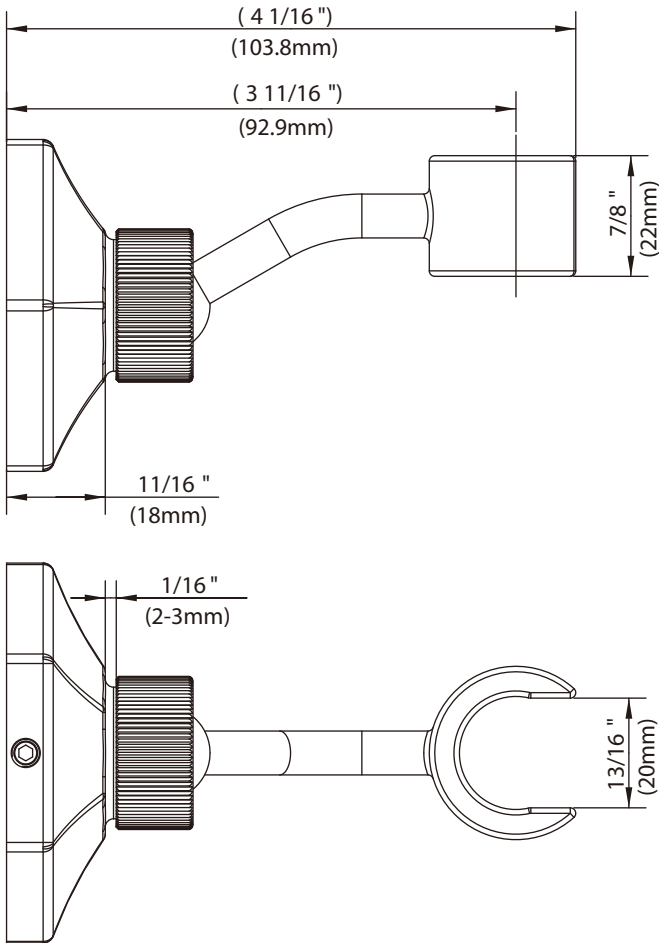
ADJUSTABLE HAND SHOWER WALL BRACKET

DIMENSIONAL DATA SHEET

DATE: 26 MAY 2014

No: 558247

COPYRIGHT © LBIP LTD 2012. ALL RIGHTS RESERVED.

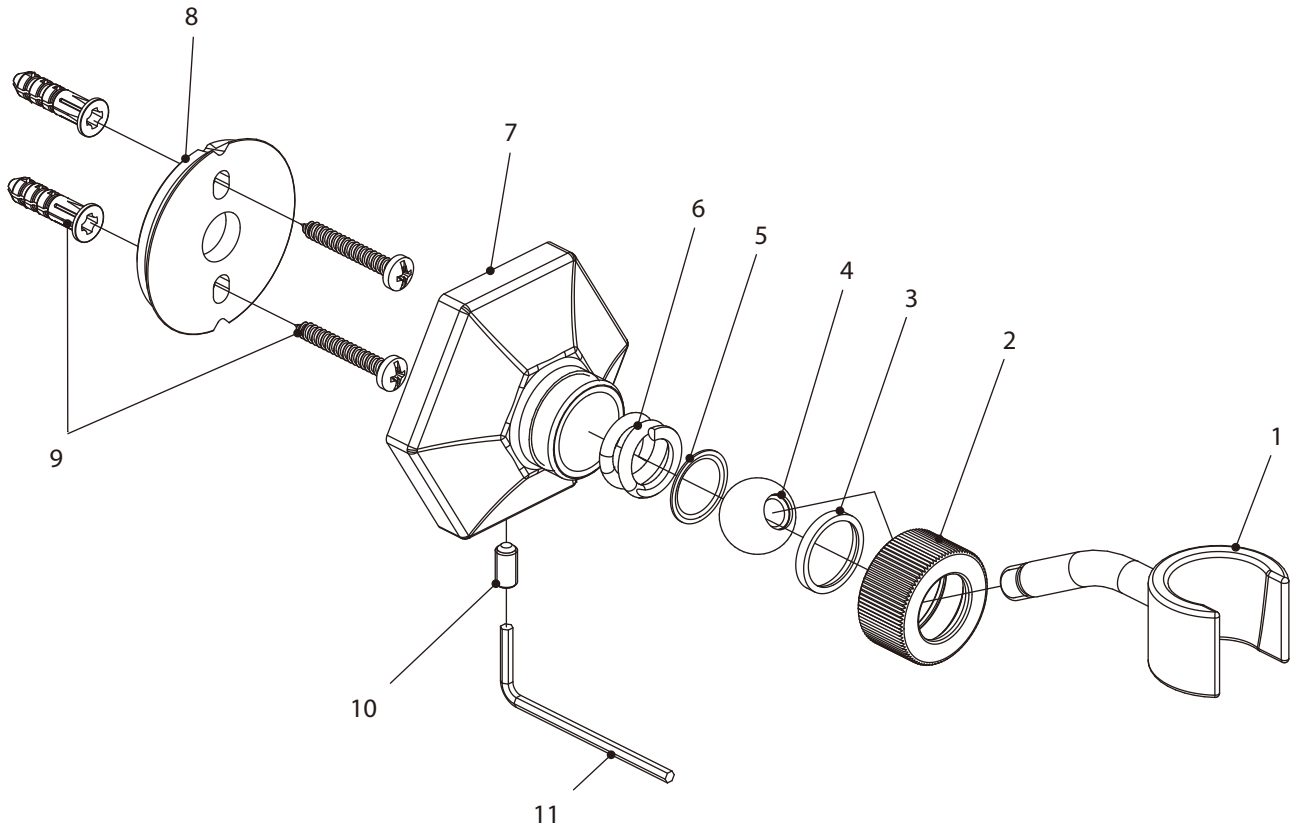


DIMENSIONS IN INCHES & MILLIMETRES

WHILST EVERY EFFORT IS MADE TO ENSURE THE ACCURACY OF THESE DATA SHEETS THEY ARE SUBJECT TO CHANGE WITHOUT NOTICE AS PART OF THE COMPANY'S PRODUCT DEVELOPMENT PROCESS

M1-5462

ADJUSTABLE HAND SHOWER WALL BRACKET



- 1 Shower bracket (117003)
- 2 Nut (009317)
- 3 Washer (060023)
- 4 Ball joint (067444)

- 5 Washer (013614)
- 6 Spring (005156)
- 7 Base (241028)
- 8 Mounting bracket (293021)

- 9 Fixing kit (290614)
- 10 Set screw (053009)
- 11 Allen key (031000)